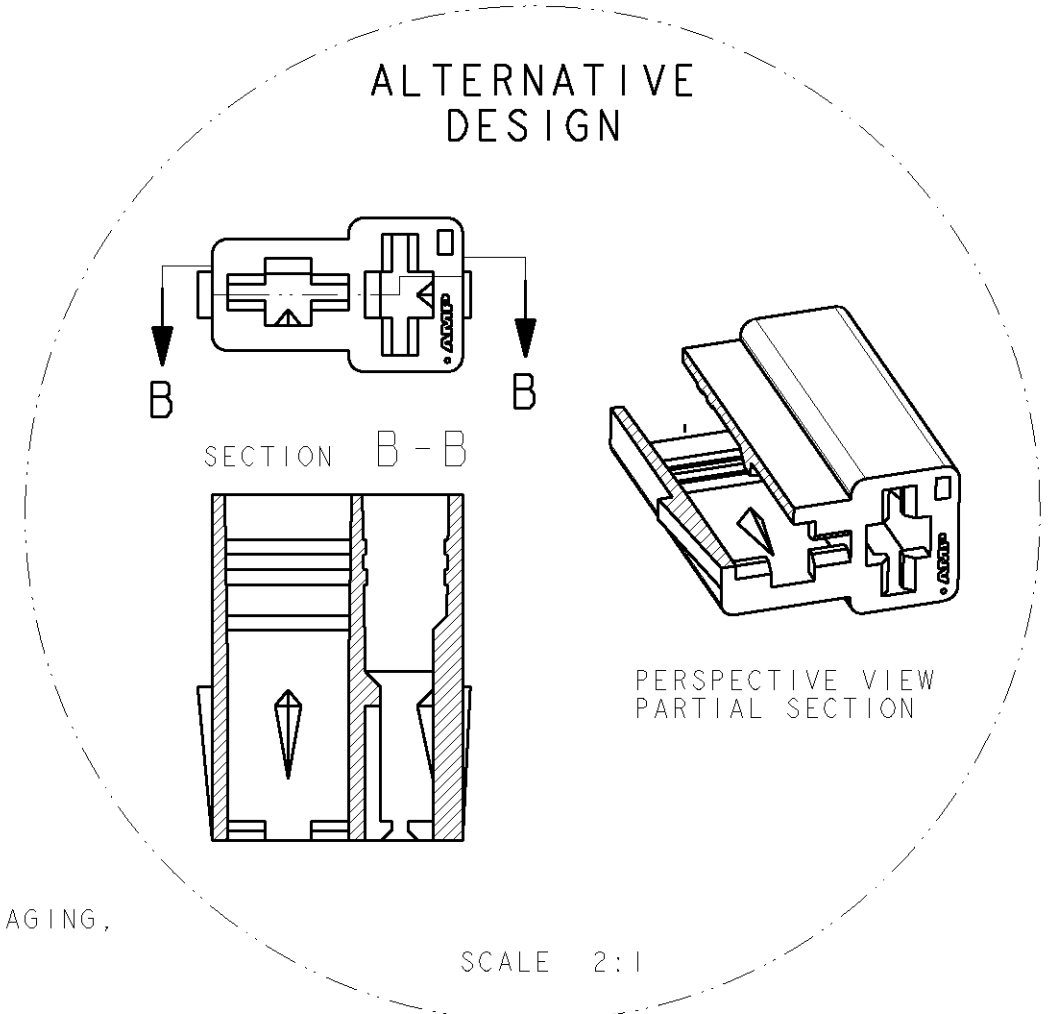
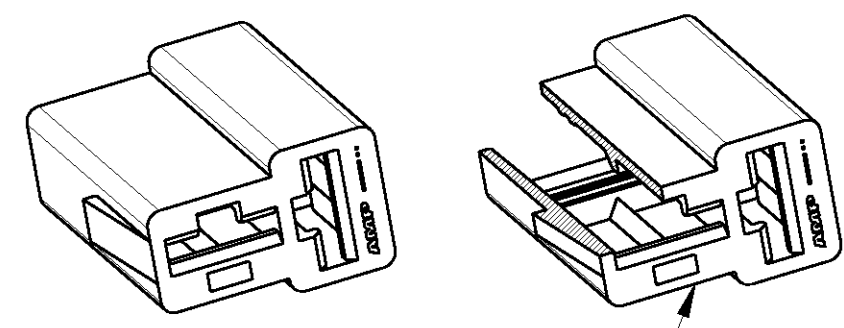
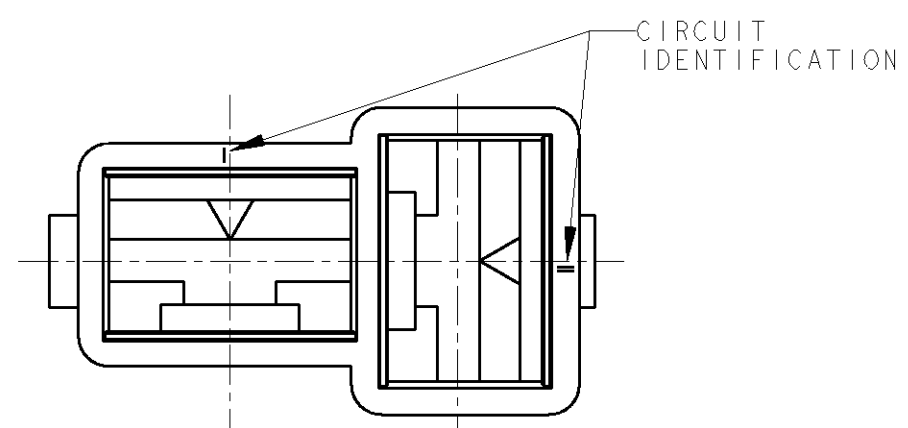
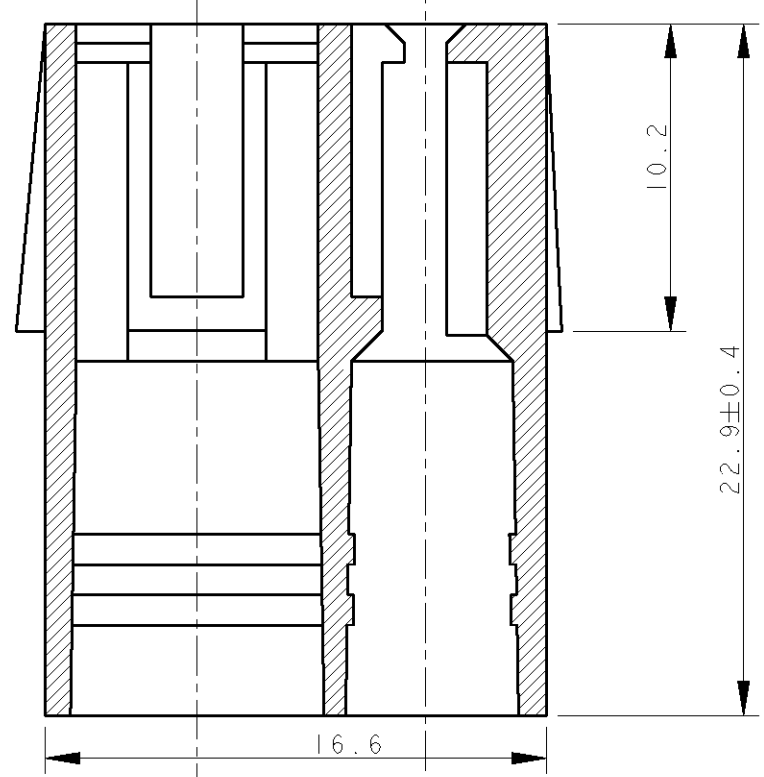


THIS DRAWING IS UNPUBLISHED. SCALE 4:1 RELEASED FOR PUBLICATION 2002  
 © COPYRIGHT 2002 BY TYCO ELECTRONICS CORPORATION. ALL RIGHTS RESERVED.

LOC	DIST	REVISIONS			
P	LTR	DESCRIPTION	DATE	DWN	APVD
		AA1	REDRAWN, ET00-0057-02	19 APR 2002	HY CT
		AA2	ADDED 3-...-0, ET00-0137-04	25 JUN 2004	HY GT

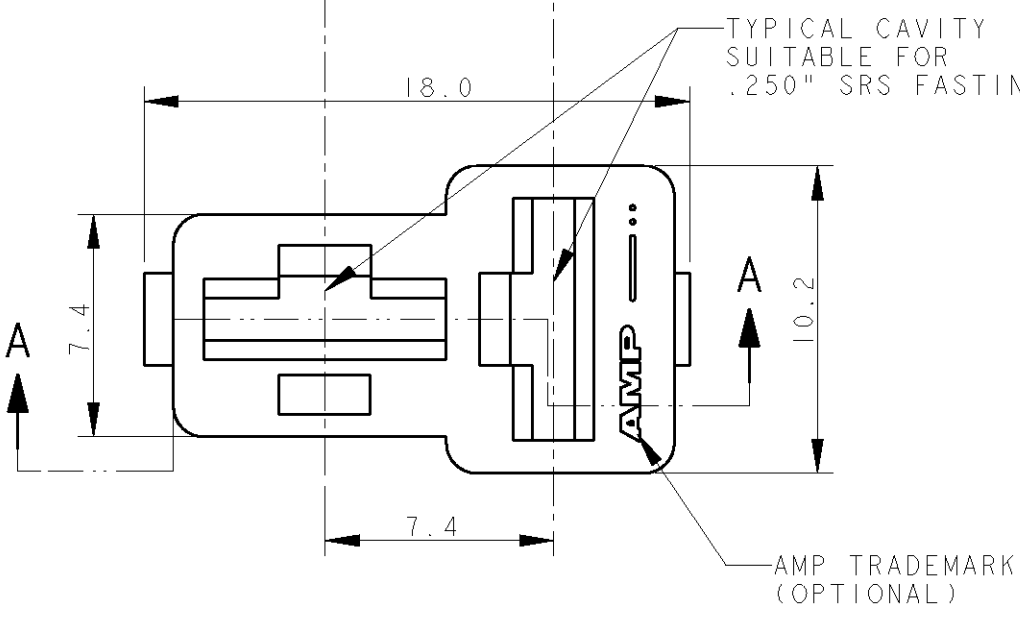


SECTION A-A



⚠ SAME AS 0-180907-0 BUT SPECIAL PACKAGING, ON CARTON BOX, TWO PLASTIC BAG WITH 3000 PIECES ON EACH.

TYPICAL CAVITY SUITABLE FOR .250" SRS FASTIN-FASTON\* REC. CONTACT



NOTES	COLOUR	MATERIAL	P/N	REV
⚠	NATURAL	POLYAMIDE 6.6	3-180907-0	AA
-	NATURAL	POLYAMIDE 6.6	2-180907-0	AA
UL APPROVED	NATURAL	NYLON 6.6; ZYTEL 101L	1-180907-0	AA
-	BLACK	POLYAMIDE 6.6	0-180907-5	AA
-	YELLOW		0-180907-4	O
-	BLUE		0-180907-3	AA
-	RED		0-180907-1	AA
-	NATURAL		0-180907-0	AA

<small>THIS DRAWING IS A CONTROLLED DOCUMENT FOR TYCO ELECTRONICS CORPORATION IT IS SUBJECT TO CHANGE AND THE CONTROLLING ENGINEERING ORGANIZATION SHOULD BE CONTACTED FOR THE LATEST REVISION.</small>		DWN H. YAALI 14JUN2002 CHK C. TARTARI APVD -		tyco Electronics AMP Italia S.p.A. Corso F.lli Cervi, 15 COLLEGNO (TO)	
DIMENSIONS: mm 		TOLERANCES UNLESS OTHERWISE SPECIFIED: 0 PLC ±- 1 PLC ±0.3 2 PLC ±- 3 PLC ±- 4 PLC ±- ANGLES ±2° FINISH -		PRODUCT SPEC 108-20020 APPLICATION SPEC 114-2025 WEIGHT -	
MATERIAL SEE TABLE		NAME 2 WAY FASTIN-FASTON* RECEPTACLE HOUSING .250" SERIES		SIZE A3 CAGE CODE 00779 DRAWING NO C-180907 RESTRICTED TO -	
CUSTOMER DRAWING				SCALE 4:1 SHEET 1 OF 1 REV AA2	